

NR-030 CHECK VALVE (SWING TYPE)

Cast body with high resistance to surge effects.

Corrosion resistant inner parts ensure long term service under adverse conditions.

Optional sealing: bronze on bronze or stainless steel on stainless steel for extremely adverse working conditions.

Stainless steel extended Shaft on both sides standard for 10"-16".

Optional in 2"-8".

Optional Additions:

- Counterweight to avoid pressure surges.
- Electric limit switch indicator.

Can be installed in either horizontal or vertical position.

Can be adapted to various types of liquid upon request.

Low head loss. Low cost operation.

Standard metal body - baked polyester coating.

Flanges are available in BS/ISO/ANSI standards.

Working pressures range: 0.2-16 bar (up to 100 bar upon request).

Available in 2" (50 mm) - 16" (400 mm).

Ordering

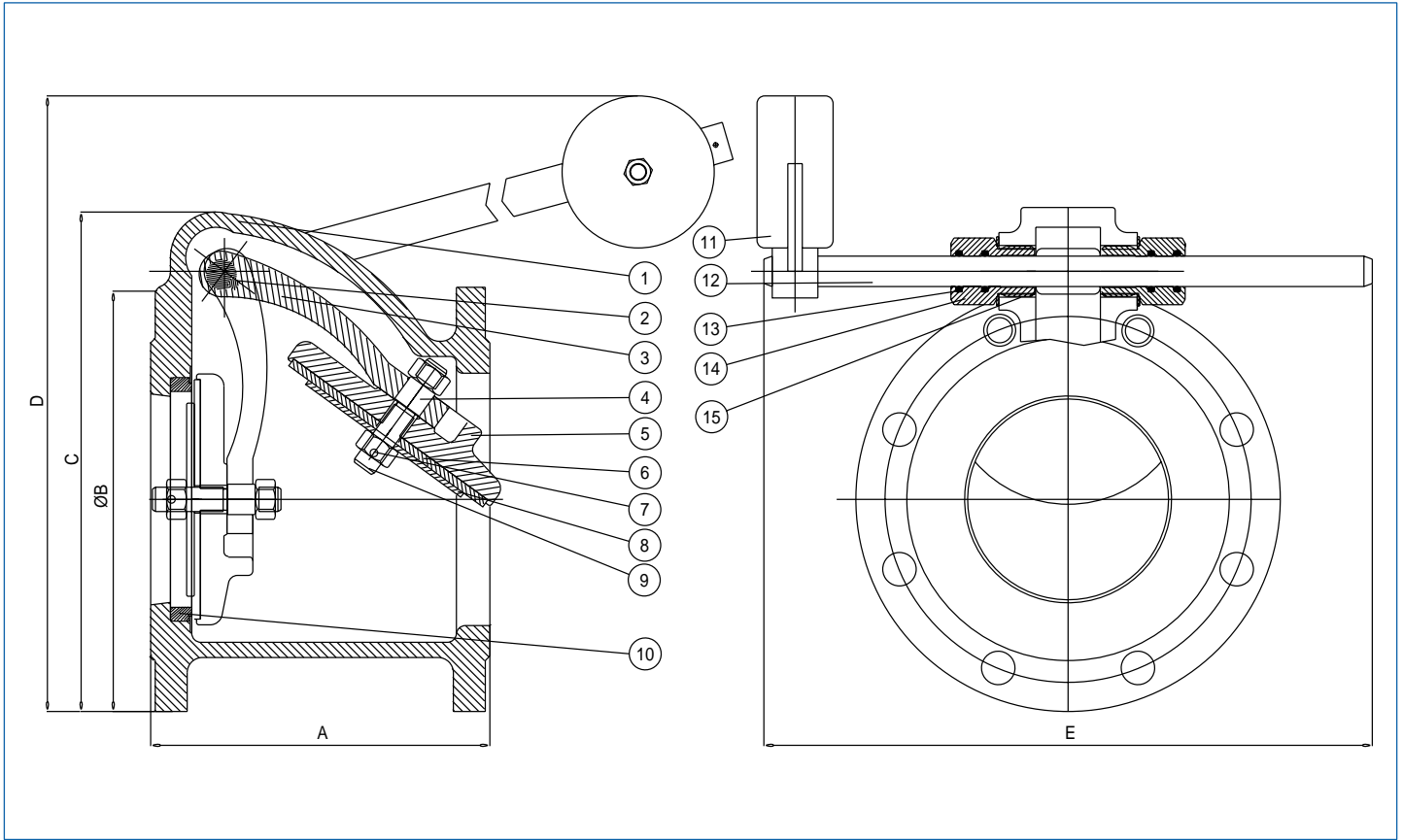
Upon ordering, please specify: model, size, working pressure, flanges standard and type of liquid.



A.R.I. Flow Control Accessories

Kfar Charuv, 12932 Israel Tel. 972-6-6761988 Fax. 972-6-6763402

<http://arivalves.com>



PARTS LIST AND SPECIFICATION

No.	Part	Material	
		PN16	PN40
1.	Body	Cast Iron ASTM A48 CL.35B	Cast Steel ASTM A216
2.	Key	Stainless Steel SAE 303	Stainless Steel SAE 303
3.	Arm	3"-4" Brass ASTM B124	Brass ASTM B124
		6"-16" Bronze ASTM B62	
4.	Headless Bolt	Stainless Steel SAE 303	Stainless Steel SAE 303
5.	Flap	3"-4" Brass ASTM B124	
		6"-16" Bronze ASTM B62	Stainless Steel SAE 303
6.	Flap Seal	Natural Rubber	Not applicable
7.	Rollpin	Stainless Steel SAE 303	Stainless Steel SAE 303
8.	Disc	Cast Steel DIN St. 37	Not applicable
9.	Slotted nut	Stainless Steel SAE 303	Stainless Steel SAE 303
10.	Sealing Ring	Bronze ASTM B62 B271	Stainless Steel SAE 303
11.	Counterweight	Steel DIN ST.37	Steel DIN ST.37
12.	Shaft	Stainless Steel SAE 303	Stainless Steel SAE 303
13.	O-Ring	BUNA-N	BUNA-N
14.	Plug	Brass ASTM B124 (X2)	Brass ASTM B124 (X2)
15.	Seal	Fiber (x2)	Fiber (x2)
■	Washer		
	Only in 16"	Stainless Steel SAE 303	Stainless Steel SAE 303

DIMENSIONS AND WEIGHTS

Size	A	B	C	D	E	Weight Kg.
3"	156	183	202	255	250	11.0
4"	176	216	249	290	300	13.3
6"	223	279	332	405	400	29.0
8"	250	340	411	480	500	43.0
10"	266	406	468	570	600	61.0
12"	304	460	518	650	650	82.5
16"	388	580			700	165.0

