

# D-025 L PN 16



## Combination Air Valve for Wastewater

### Description

The D-025 L Combination Air Valve combines an air & vacuum component and an air release component in a single body. The valve is specifically designed to operate with liquids carrying solid particles such as wastewater and effluents. The combination air valve discharges air (gases) during the filling or charging of the system, admits air into the system during drainage and at water column separation and releases accumulated air (gases) from the system while it is operating under pressure. The valve's unique design enables the separation of the liquid from the sealing mechanism and assures optimum working conditions.

### Applications

- Wastewater & water treatment plants.
- Wastewater and effluent water transmission lines.

### Operation

The air & vacuum component discharges air at high flow rates during the filling of the system and admits air into the system at high flow rates during drainage and at water column separation. High velocity air will not blow the float shut. Water will lift the float which activates the sealing of the valve.

At any time during system operation, should internal pressure of the system fall below atmospheric pressure, air will enter the system. The smooth discharge of air reduces pressure surges and other destructive phenomena.

The intake of air in response to negative pressure protects the system from destructive vacuum conditions and prevents damage caused by water column separation. Air entry is essential to efficiently drain the system.

The air release component releases entrapped air in pressurized systems.

### Without air valves, pockets of accumulated air may cause the following hydraulic disturbances:

- Restriction of effective flow due to a reduction of the flow area. In extreme cases this will cause complete flow stoppage.
- Obstruction of efficient hydraulic transmission due to air flow disturbances.
- Acceleration of cavitation damages.
- Increase in pressure transients and surges.
- Internal corrosion of pipes, fittings and accessories.
- Dangerous high-energy bursts of compressed air.
- Inaccuracies in flow metering.

### As the system fills and is pressurized, the combination wastewater air valve functions in the following stages:

1. Air (gas) is discharged by the valve
2. When the liquid level reaches the valve's lower portion, the lower float is lifted, pushing the sealing mechanism to its sealing position.
3. The entrapped air is confined in a pocket between the liquid and the sealing mechanism. The air pressure is equal to the system pressure.
4. Increases in system pressure compress the trapped air in the upper section of the conical chamber. The conical shape assures the height of the air gap. This enables separation of the liquid from the sealing mechanism.
5. Entrapped air (gas), accumulating at peaks and along the system, rises to the top of the valve and displaces the liquid in the valve's body.
6. When the liquid level lowers to a point where the float is no longer buoyant, the float drops, unsealing the rolling seal. The air release orifice opens and allows part of the air that accumulated in the upper portion of the valve to be released to the atmosphere.
7. Liquid enters the valve. The float rises, pushing the rolling seal to its sealing position. The remaining air gap prevents the wastewater from fouling the mechanism.

### When internal pressure falls below atmospheric pressure (negative pressure):

1. The floats will drop down, immediately opening the air & vacuum and air release orifices.
2. Air will enter into the system.

### Main Features

- Working pressure range: 0.05 - 16 bar.
- Testing pressure: 25 bar.
- Maximum working temperature: 60° C.
- Maximum intermittent temperature: 90° C.
- The unique design of the valve prevents contact between the wastewater and the sealing mechanism by creating an air gap at the top of the valve. These features are achieved by:
  - **The conical body shape:** designed to maintain the maximum distance between the liquid and the sealing mechanism and still obtain minimum body length.
  - **Independent spring-guided linkage between the lower float/rod assembly and the upper float sealing mechanism:** allows free movement of the float and rod. Vibrations and movement of the lower float due to turbulence will not unseal the upper float sealing

mechanism.

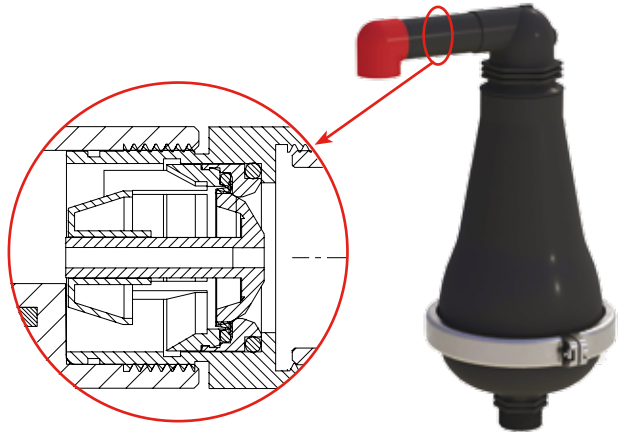
- **The Rolling Seal Mechanism:** less sensitive to pressure differentials than a direct float seal. It accomplishes this by having a comparably large orifice for a wide pressure range (up to 16 bar).
- **Funnel-shaped lower body:** designed to ensure that residue wastewater matter will fall back into the system and be carried away by the main pipe.
- All inner metal parts made of stainless steel. Float made of composite materials.
- 1 1/2" threaded discharge outlet enables connection of a vent pipe.
- Dynamic design allows for high capacity air discharge while preventing premature closure.
- The ball valve can be opened to release trapped pressure and drain the valve body prior to maintenance and for back-flushing during maintenance.

### Valve Selection

- These valves are available in 2", 3" with a BSPT male threaded connection or flanged (flange attached to the BSPT threaded connection) - flange standard upon request.
- Valve is manufactured in reinforced nylon, also available in stainless steel.
- With a One-way, Out-only attachment, allows for air discharge only, prevents air intake.
- With a Vacuum Breaker, In-only attachment, allows for air intake only, prevents air discharge.
- With a Non-Slam discharge-throttling attachment, allows for free air intake, throttles air discharge.

### Note

- The D-025 L air valve is intended for use with raw wastewater. For use with aggressive liquids, please consult with our application engineers or with the marketing dept.
- For best suitability, it is recommended to send the fluid chemical properties along with the valve request.
- Upon ordering, please specify: model, size, working pressure, thread and flange standard and type of liquid.

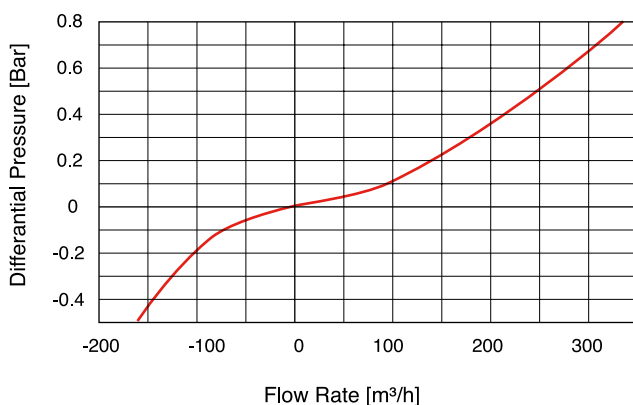


D-025 L NS

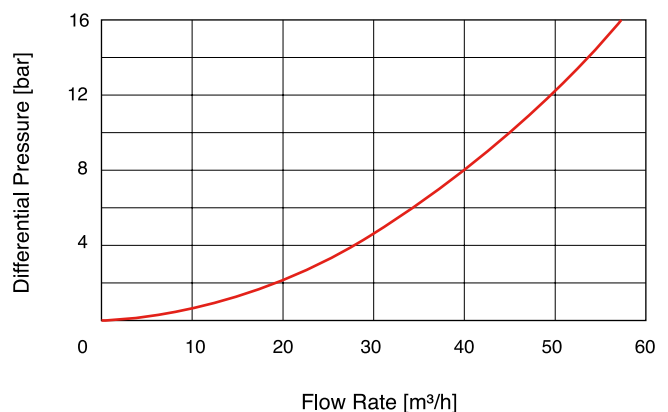
D-025 L Non-Slam Single Orifice Add-on Component Data Table

Nominal Size	Discharge orifice	Total NS area	NS orifice	Switching point	Flow at 0.4 bar
2" (50mm) 3" (80mm)	37.5 mm	12.6 mm <sup>2</sup>	4 mm	Spring loaded normally closed	17.5 m <sup>3</sup> /h

AIR & VACUUM FLOW RATE



AUTOMATIC AIR RELEASE FLOW RATE



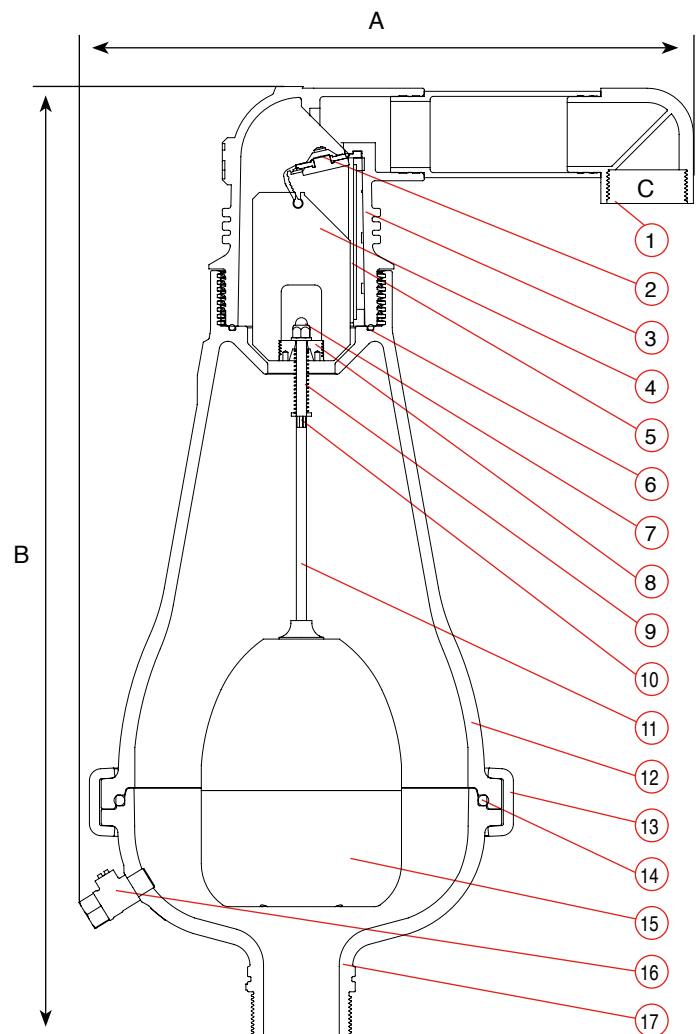
## D-025 L Body Made of Nylon

### DIMENSIONS AND WEIGHTS

Nominal Size	Dimensions mm		Connection C	Weight Kg.	Orifice Area mm <sup>2</sup>	
	A	B			Auto.	A / V
2" (50mm) Nylon	365	566	1½" BSP Female	6.8	12	804
3" (80mm) Nylon	365	566	1½" BSP Female	6.9	12	804

### PARTS LIST AND SPECIFICATION

No.	Part	Material
1.	Discharge Outlet	Polypropylene
2.	Rolling Seal Assembly	Reinforced Nylon + EPDM + Stainless Steel 316
3.	Body	Reinforced Nylon
4.	Float	Foamed Polypropylene
5.	Clamping Stem	Reinforced Nylon
6.	O-Ring	BUNA-N
7.	Domed Nut	Stainless Steel 316
8.	Stopper	Polypropylene
9.	Spring	Stainless Steel 316
10.	Washer	Stainless Steel 316
11.	Float Stem	Stainless Steel 316
12.	Body	Reinforced Nylon
13.	Clamp	Cast Stainless Steel
14.	O-Ring	BUNA-N
15.	Float	Polypropylene
16.	Tap 1/4 "	Bronze
17.	Base	Reinforced Nylon



## D-025 L Body Made of Stainless Steel

### DIMENSIONS AND WEIGHTS

Nominal Size	Dimensions mm		Connection C	Weight Kg.	Orifice Area mm <sup>2</sup>	
	A	B			Auto.	A / V
2" (50mm) ST ST	409	566	1½" BSP Female	12.6	12	804
3" (80mm) ST ST	409	566	1½" BSP Female	12.9	12	804

### PARTS LIST AND SPECIFICATION

No.	Part	Material
1.	Discharge Outlet	Polypropylene
2.	Rolling Seal Assembly	Reinforced Nylon + EPDM + Stainless Steel 316
3.	Body	Reinforced Nylon
4.	Float	Foamed Polypropylene
5.	Clamping Stem	Reinforced Nylon
6.	O-Ring	BUNA-N
7.	Domed Nut	Stainless Steel 316
8.	Stopper	Polypropylene
9.	Spring	Stainless Steel 316
10.	Washer	Stainless Steel 316
11.	Float Stem	Stainless Steel 316
12.	Body	Cast Stainless Steel
13.	Clamp	Cast Stainless Steel
14.	O-Ring	BUNA-N
15.	Float	Polypropylene
16.	Ball Valve 1/2 "	Stainless Steel 316
17.	Base	Cast Stainless Steel

