

# A.R.I. K-016/K-100

 **Aquestia**  
Directing the Flow



Waterworks

## High Pressure Air & Vacuum Valve

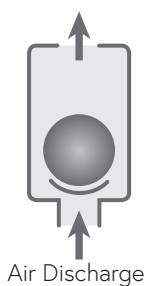
### Description

The K-016/K-100 are reduced bore Air & Vacuum air valves installed on liquid transmission systems to increase efficiency and reduce energy requirements by improving the hydraulic operation of the system.

### Installation

- Municipal and industrial water conveyance systems
- Water conveyance systems requiring high pressure valves

### Operation



## Features and Benefits

Dynamic design	High capacity air discharge, no premature closure
Unique design	Easy to install and simple to maintain, long-term maintenance-free operation
Accessible discharge outlet	Compatible for connections
All internal parts - stainless steel 316, polymer, rubber materials	Non-corrosive and durable

## Technical Specifications

Size range	1" - 8"
Sealing pressure range	K-016: 0.2 - 64 bar (PN 64) K-100: 0.2 - 100 bar (PN 100)
Temperature	Maximum working temperature: 60° C. Maximum intermittent temperature: 90° C. Testing pressure: 1.5 times maximum working pressure
Valve coating	Fusion bonded epoxy coating in compliance with standard DIN 30677-2

Upon ordering, please specify: model, size, working pressure, Flange standard and type of liquid

## Valve Selection Options

Valve connection	Flanged ends to meet various requested standard
------------------	---

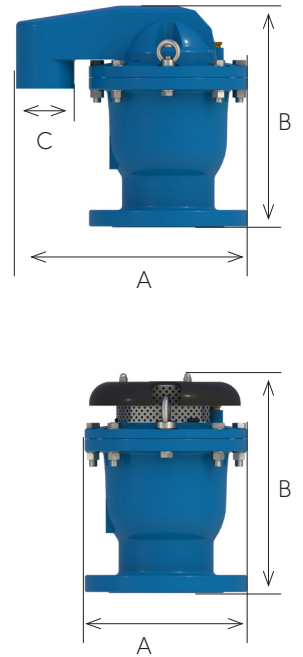
## Dimensions and Weight

Model	Dimensions (mm)		Connection	Weight (kg)	Orifice Area (mm <sup>2</sup> )
	A	B			
<b>Elbow cover models</b>					
1" (25 mm) FL	165	260	1.5" BSP/NPSM Female	6.8	794
2" (50 mm) FL	210	276	1.5" BSP/NPSM Female	24	794
3" (80 mm) FL	235	289	2" BSP/NPSM Female	31	1809
4" (100 mm) FL	270	358	3" BSP/NPSM Female	50	3318
6" (150 mm) FL	556	536	108	115.8	17662
8" (200 mm) FL	556	536	108	120	17662
<b>Screen cover models</b>					
6" (150 mm) FL	556	536	-	115.8	17662
8" (200 mm) FL	556	536	-	120	17662

FL - Flanged

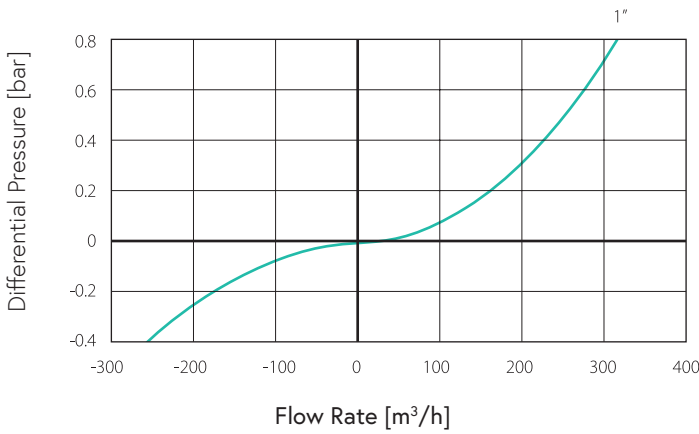
**NOTE**

All product weights and dimensions are approximate, due to the differences in flange standards, materials and variable accessories

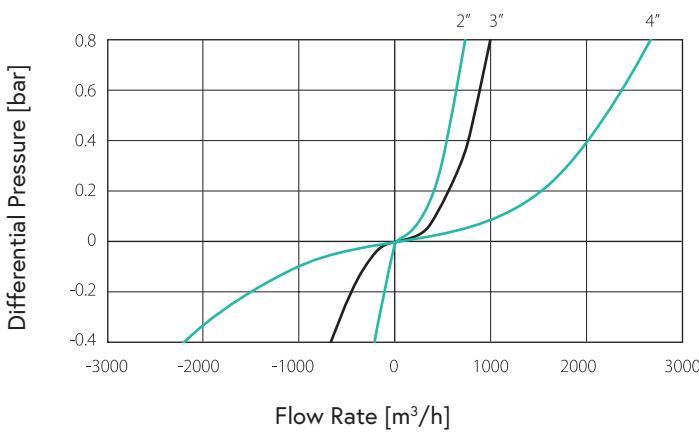


## Flow Charts

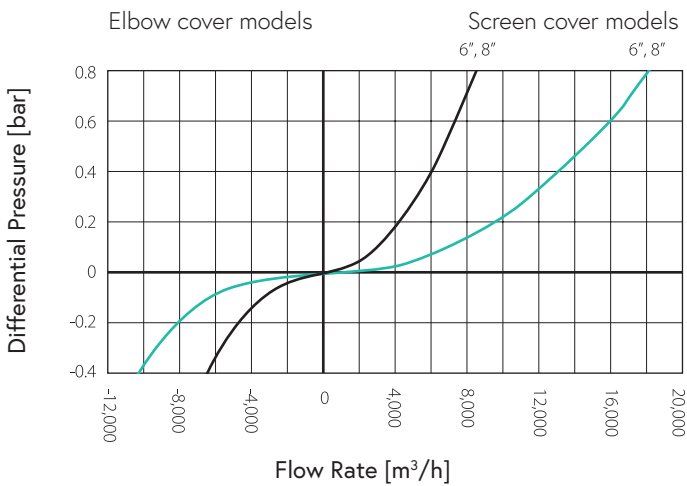
Air & Vacuum Flow Rate



Air & Vacuum Flow Rate

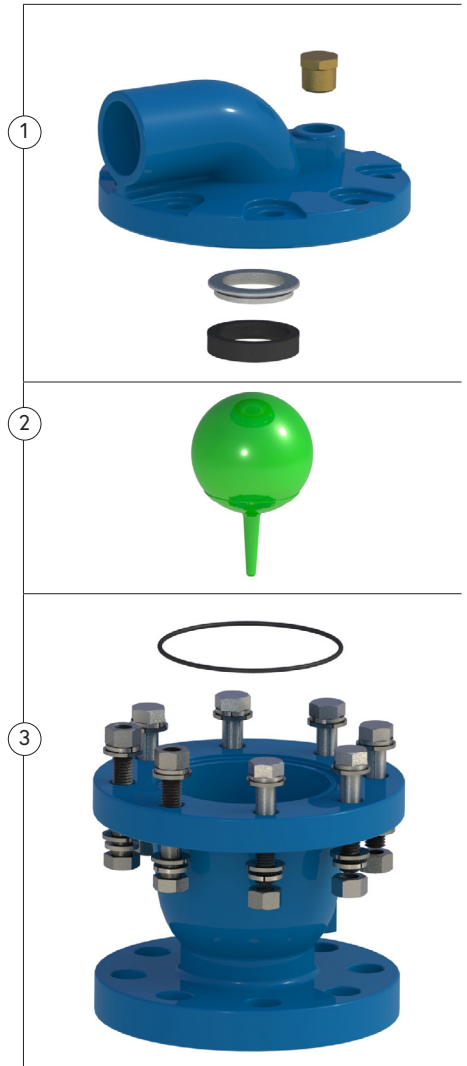


Air & Vacuum Flow Rate



## Parts List and Specifications 1"-4" Elbow Cover Models

No.	Part	Material
1	Cover Assembly	
1a	Plug	Brass
1b	Discharge Elbow	Cast Steel
1c	Orifice Seat	Stainless Steel 316
1d	Orifice Seal	EPDM
2	Float Assembly	
2a	Float	Polycarbonate/Stainless Steel 316
3	Body Assembly	
3a	O-Ring	EPDM
3b	Bolts Nuts & Washers	Steel/Stainless Steel 316
3c	Body	Cast Steel



## Parts List and Specifications 6"-8"Elbow Cover Models

No.	Part	Material
1	Cover Assembly	
1a	Discharge Elbow	Ductile Iron
1b	O-Ring	EPDM
1c	Plug	Brass
1d	Cover	Cast Steel
1e	Orifice Seat	Stainless Steel 316
1f	Orifice Seal	EPDM
2	Float Assembly	
2a	Float	Duplex
3	Body Assembly	
3a	O-Ring	EPDM
3b	Bolts, Nuts & Washers	Steel/Stainless Steel 316
3c	Body	Cast Steel



## Parts List and Specifications 6"-8" Screen Cover Models

No.	Part	Material
1	Cover Assembly	
1a	Screen Cover	Polyethylene
1b	Screen	Stainless Steel 316
1c	Bolts Nuts & Washers	Steel/Stainless Steel 316
1d	Plug	Brass
1e	Cover	Cast Steel
1f	Orifice Seat	Stainless Steel 316
1g	Orifice Seal	EPDM
2	Float Assembly	
2a	Float	Duplex
3	Body Assembly	
3a	O-Ring	EPDM
3b	Bolts Nuts & Washers	Steel/Stainless Steel 316
3c	Body	Cast Steel

